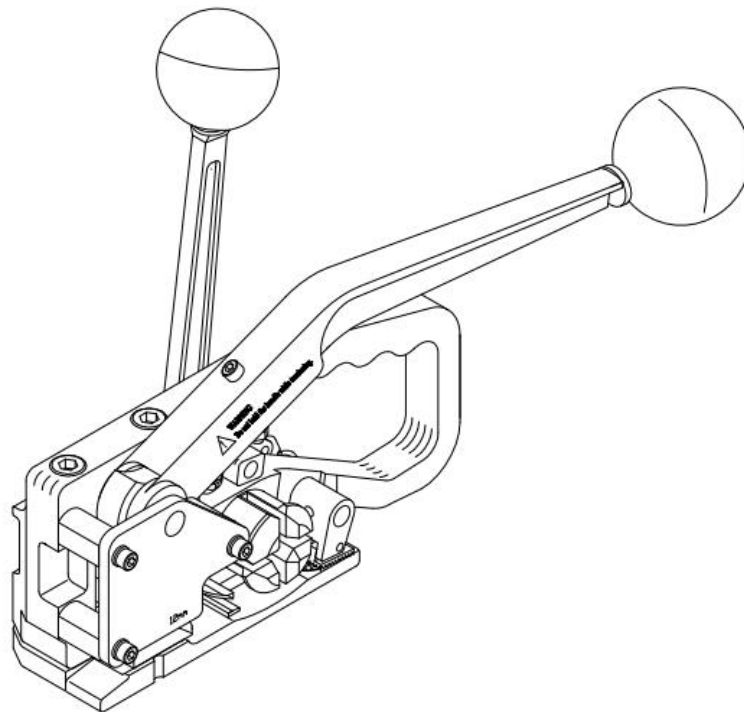




STEP H-44 Combination Tool (For P.P. / PET Straps) OPERATION INSTRUCTIONS & SPARE PARTS LIST



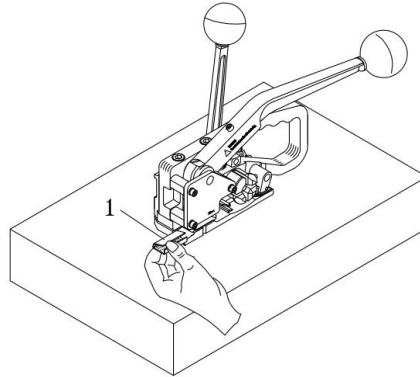
04/17/07

OPERATION INSTRUCTIONS FOR H-44

Straighten the strap first.

1. Inserting the seal

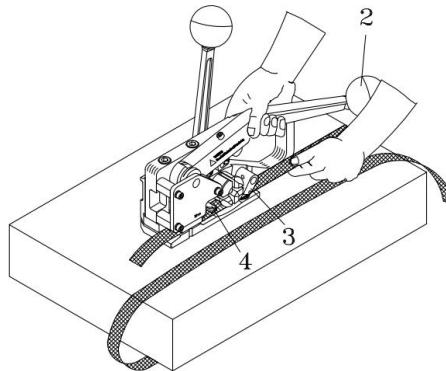
Using the left hand to insert seal (No. 1) into the tool from the rear side until it hits the strap stop.



2. Feeding the strap around the package.

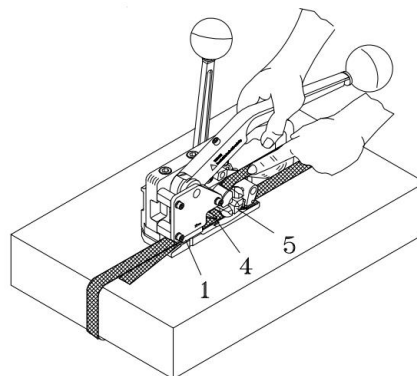
Then insert the lower strap

Feed strap end around the package. Press Sealing Lever (No. 2) down to the bottom and insert the strap end through Gripper (No. 3) and Seal (No. 1). [the strap should go under the cutter (No.4)] Then, release Sealing Lever (No. 2) so that it comes back to its original position.



3. Inserting the upper strap

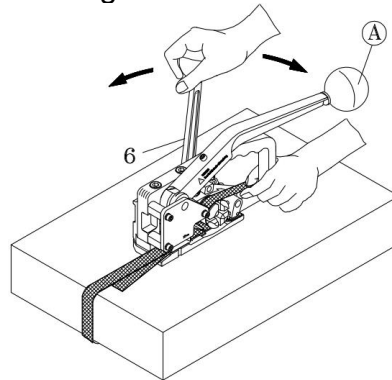
Insert the other side of strap (from dispenser) through the Seal (No.1) (above the strap which is just inserted in the seal as per point 2), the blades of cutting set (No. 4) and the Windlass (No. 5). Then, pull the strap straightly.



4. Tensioning the strap

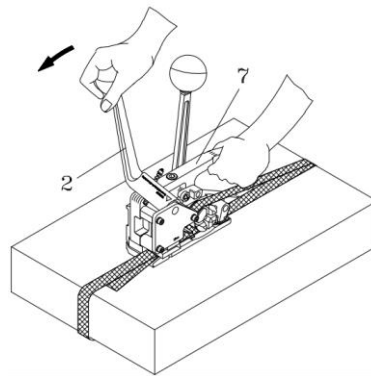
Move Tension Handle (No. 6) back and forth until the strap is tensioned to the desired amount of tension.

WARNING:
Do not hold the handle A while tensioning.



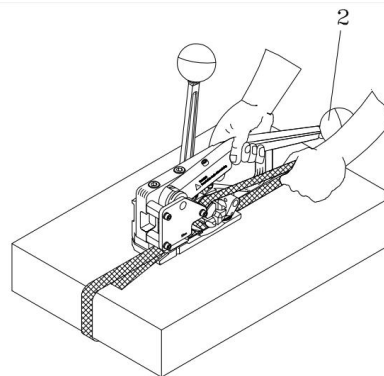
5. Sealing the strap

Hold the Body (No. 7) and use the other hand to pull Sealing Lever (No. 2) forward to the stop.



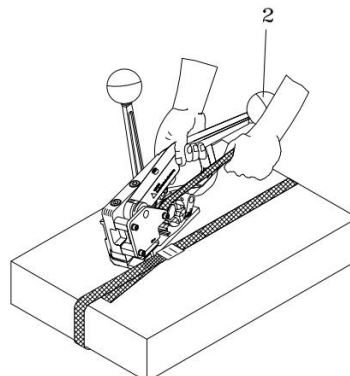
6. Cutting off the strap

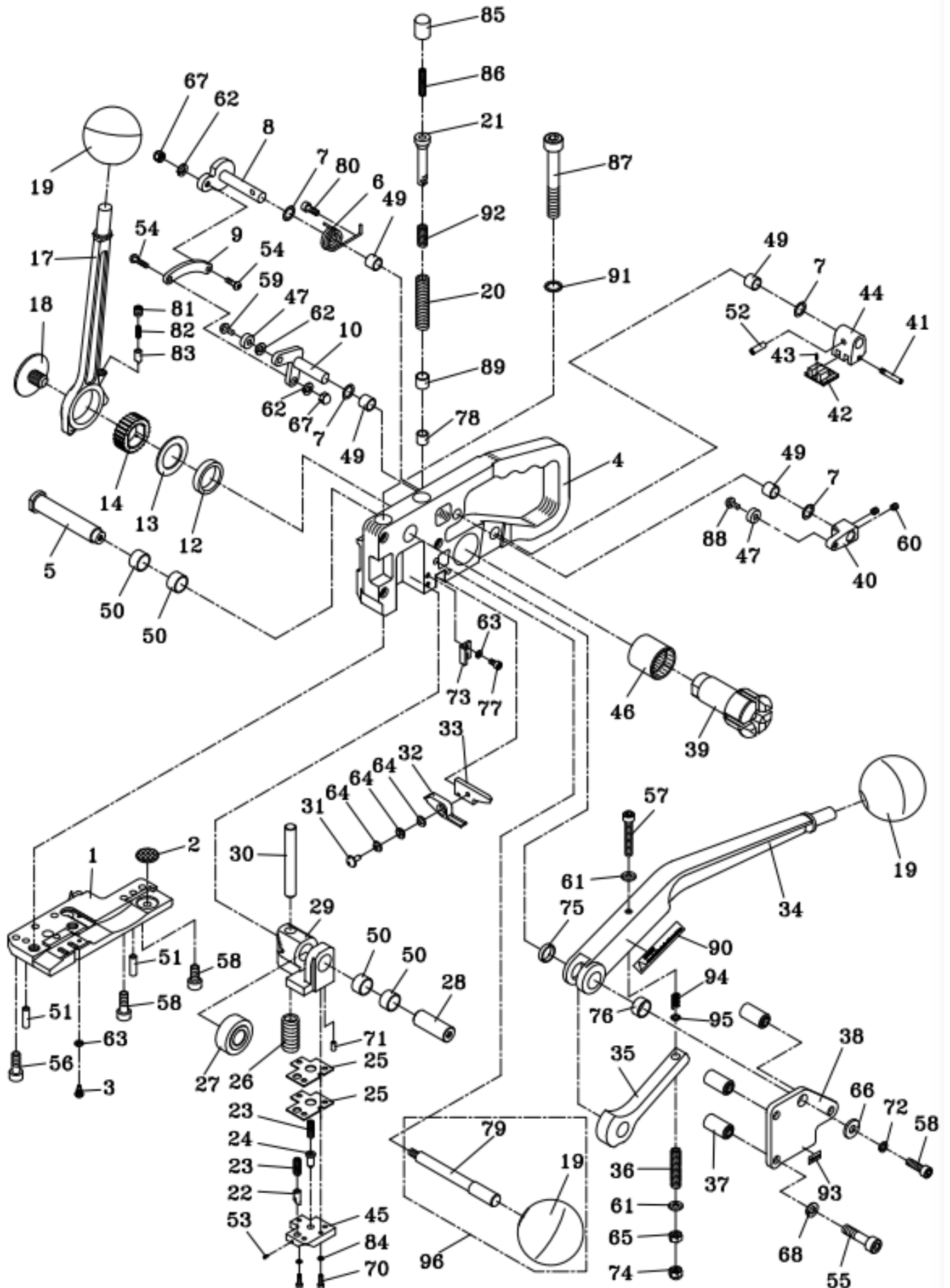
Press Sealing Lever (No. 2) down to the bottom to cut the strap.



7. Removing the tool

Remain the sealing lever as point 6 and remove the tool from the strap to the right. The strapping procedure is completed.





REF. NO.	PART NO.	DESCRIPTION	Q'TY	REF. NO.	PART NO.	DESCRIPTION	Q'TY
1	H44-10012	Base (For 15.5mm)	1	49	MB1010	Metal Bush, 1010	4
	H44-10013	Base (For 12mm)	1	50	MB1510	Metal Bush, 1510	4
2	H44-10020	Base Plug	1	51	SP0620	Spring Pin, 6x20	2
3	H44-10030	Screw	1	52	SPS0516	Spring Pin, 5x16	1
4	H44-10041	Housing	1	53	SP0204	Spring Pin, 2x4	1
5	H44-10050	Shaft	1	54	H44-10540	Screw, M5x15	2
6	H44-10061	Spring	1	55	HBS0850HN	HBS, M8x50 (H)(N)	3
7	H44-10070	Washer	4	56	HBS0620	HBS, M6x20	3
8	H44-10080	Shaft	1	57	HBS0670HN	HBS, M6x70 (H)(N)	1
9	H44-10090	Connector	1	58	HBS0616N	HBS, M6x16 (N)	3
10	H44-10100	Lever	1	59	THS0510	THS, M5X10	1
12	H44-10120	Bushing	1	60	HSS0510	HSS, M5x10	2
13	H44-10131	Washer	1	61	PW06A	PW, M6 (A)	2
14	H44-10141	Ratchet Wheel	1	62	SW05	SW, M5	3
17	H44-10171	Tension Handle	1	63	SW04	SW, M4	1
18	H44-10181	Side Plate	1	64	DS04	DS, 0410	3
19	H54-021	Knob	2	65	HN06	HN, M6	1
	H54-021	Knob (Option)	1	66	PW06C	PW, M6 (C)	1
20	H44-10200	Spring	1	67	CAP05	CAP, M5	2
21	H44-10211	Rod Bar	1	68	SW08	SW, M8	3
22	H44-10220	Seal Stop Pin Front	1	70	HBS0310	HBS, M3x10	2
23	H44-10230	Spring	2	71	H44-10710	Lock Pin, 4x8	2
24	H44-10240	Seal Retainer (For 15.5mm)	1	72	SW06	SW, M6	1
	H44-10241	Seal Retainer (For 12mm)	1	73	H44-10730	Stopper	1
				74	CAP06	CAP, M6	1
25	H44-10250	Seam (For 12mm)	2	75	MB1504	Metal Bush, 1504	1
26	H44-10260	Spring	1	76	MB1508	Metal Bush, 15x7.8	1
27	H44-10270	Pressure Roller	1	77	HBS0408N	HBS, M4x8 (N)	1
28	H44-10280	Shaft	1	78	MB0808	Metal Bush, 0808	1
29	H44-10290	Punch Base (For 15.5mm)	1	79	H44-10790	Horizontal Handle (Option)	1
	H44-10291	Punch Base (For 12mm)	1	80	HBS0412N	HBS, M4x12 (N)	1
30	H44-10300	Pillar	1	81	HSS0808	HSS, M8x8	1
31	H44-10310	Bolt	1	82	H44-10820	Ratchet Spring	1
32	H44-10320	Lower Cutter	1	83	H44-10830	Ratchet Stop	1
33	H44-10330	Upper Cutter	1	84	SW03	SW, M3	2
34	H44-10340	Sealing Lever	1	85	H44-10850	Rod Head	1
35	H44-10350	Cam	1	86	H44-10860	Spring	1
36	H44-10360	Spring	1	87	HBS10100HN	HBS, M10x100 (H)(N)	2
37	H44-10370	Spacer	3	88	THS0512	THS, M5x12	1
38	H44-10380	Cover	1	89	MB1410	Metal Bush, 1410	1
39	H44-10391	Windlass	1	90	H44-10900	Warning Lable	1
40	H44-10400	Releasing Lever	1	91	H44-10910	Washer	2
41	H21-019	Gripper Screw	1	92	H44-10920	Spring	1
42	H23-018	Gripper Plate	1	93	H44-10930	Lable (For 15.5mm)	1
43	H21-017	Gripper Spring	1		H42-1260	Lable (For 12mm)	1
44	H44-10440	Gripper	1	94	H44-10940	Spring	1
45	H44-10450	Punch (For 15.5mm)	1	95	H44-10950	Washer	1
	H44-10451	Punch (For 12mm)	1	96	H44-10960	Horizontal Handle Ass'y (Option)	1
46	BRFCB2530	Bearing, FCB2530	1				
47	BR605ZZ	Bearing, 605ZZ	2				