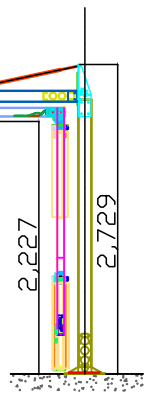
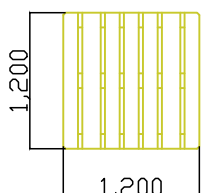
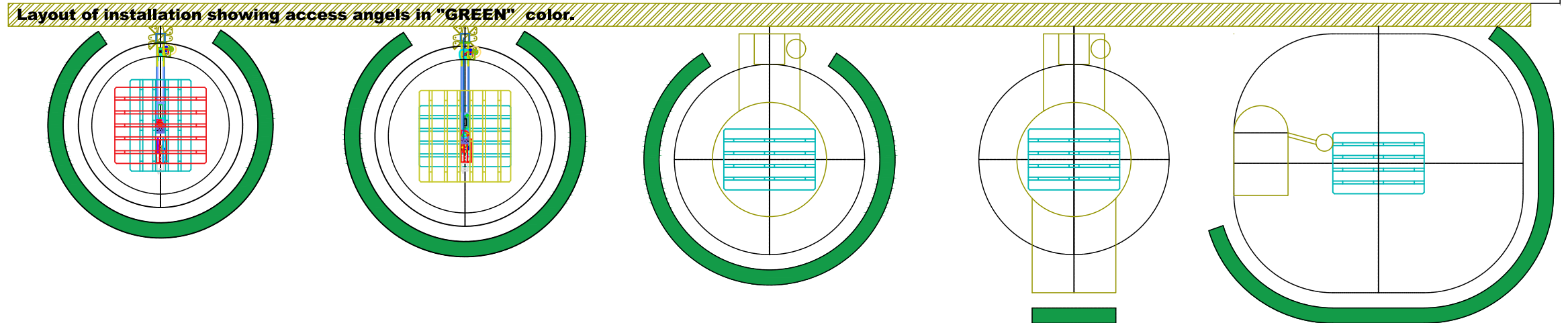
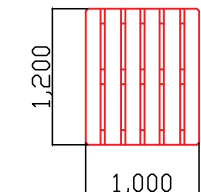
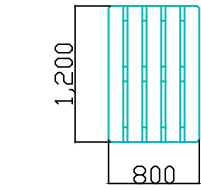
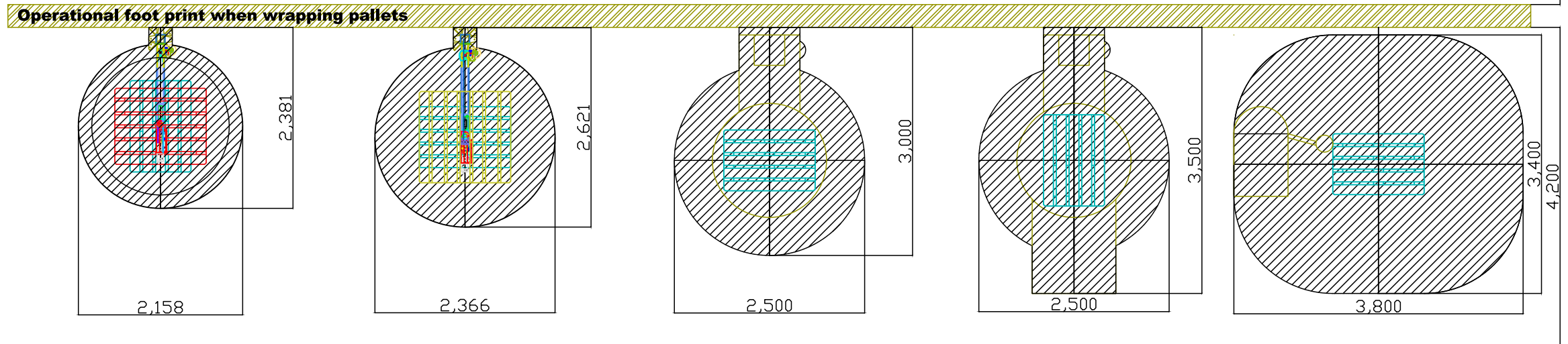
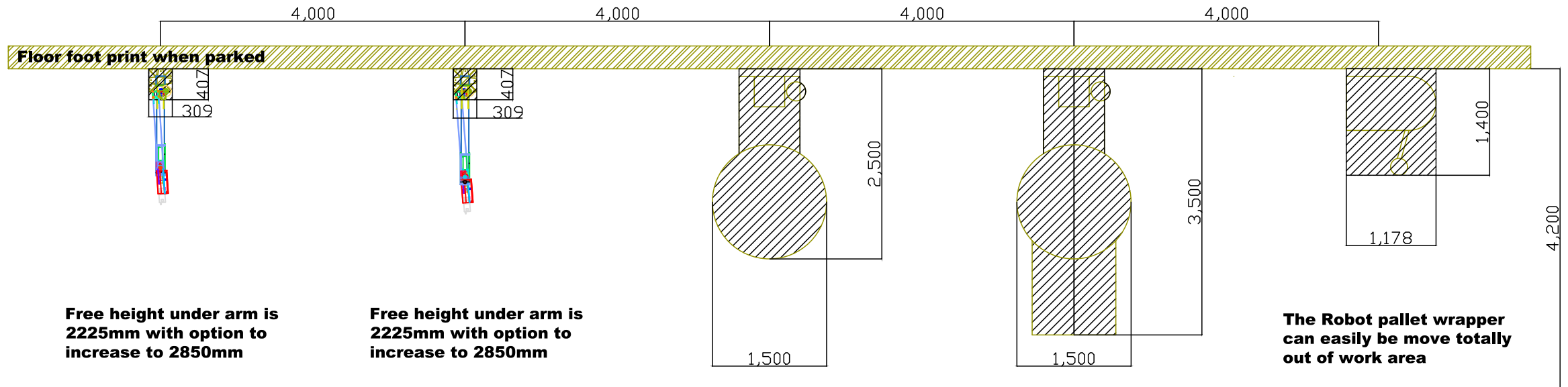


Foot print of pallet wrapper types comparison

E3 side view for reference of free space, clean floor



Pallet Types, only E3 Wrap series can wrap larger pallets within min configuration.



E3 Wrap EURO Ø1800 max pallet 1200x1000mm

E3 Wrap 2100 Ø2000 max pallet 1200x1200mm or 1350x900

Turntable ø1500mm no ramp, max pallet 800x1200mm

Turntable ø1500mm with ramp, max pallet 800x1200mm

Robot Pallet Wrapper max pallet any, shown pallet 1200x800mm

The wall shown are only for illustrative reasons, all 5 machine examples can be installed in the work area without the need of wall. E3 type's can be installed on the wall directly giving less foot print.

By law there must be 500mm free space around the pallet being turned, to avoid risk of squeeze danger.